

По вопросам продаж и поддержки обращайтесь:

Архангельск (8182)63-90-72	Краснодар (861)203-40-90	Санкт-Петербург (812)309-46-40
Астана (7172)727-132	Красноярск (391)204-63-61	Саратов (845)249-38-78
Астрахань (8512)99-46-04	Курск (4712)77-13-04	Севастополь (8692)22-31-93
Барнаул (3852)73-04-60	Липецк (4742)52-20-81	Симферополь (3652)67-13-56
Белгород (4722)40-23-64	Магнитогорск (3519)55-03-13	Смоленск (4812)29-41-54
Брянск (4832)59-03-52	Москва (495)268-04-70	Сочи (862)225-72-31
Владивосток (423)249-28-31	Мурманск (8152)59-64-93	Ставрополь (8652)20-65-13
Волгоград (844)278-03-48	Набережные Челны (8552)20-53-41	Сургут (3462)77-98-35
Вологда (8172)26-41-59	Нижний Новгород (831)429-08-12	Тверь (4822)63-31-35
Воронеж (473)204-51-73	Новокузнецк (3843)20-46-81	Томск (3822)98-41-53
Екатеринбург (343)384-55-89	Новосибирск (383)227-86-73	Тула (4872)74-02-29
Иваново (4932)77-34-06	Омск (3812)21-46-40	Тюмень (3452)66-21-18
Ижевск (3412)26-03-58	Орел (4862)44-53-42	Ульяновск (8422)24-23-59
Казань (843)206-01-48	Оренбург (3532)37-68-04	Уфа (347)229-48-12
Калининград (4012)72-03-81	Пенза (8412)22-31-16	Хабаровск (4212)92-98-04
Калуга (4842)92-23-67	Пермь (342)205-81-47	Челябинск (351)202-03-61
Кемерово (3842)65-04-62	Ростов-на-Дону (863)308-18-15	Череповец (8202)49-02-64
Киров (8332)68-02-04	Рязань (4912)46-61-64	Ярославль (4852)69-52-93
	Самара (846)206-03-16	

Единый адрес: kbs@nt-rt.ru **Веб-сайт:** www.ksb.nt-rt.ru

Объемные насосы KSB. Техническое описание

Electromagnetic Piston Pump



Fields of Application

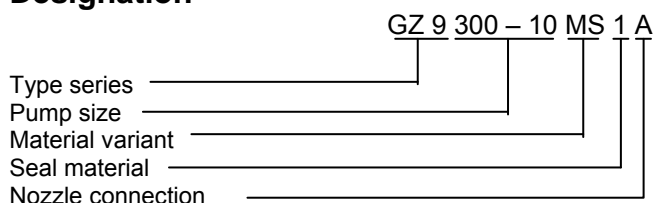
GZ pumps are suitable for clean liquids not liable to crystallize with a maximum viscosity of up to 12mm²/s, which neither corrode nor abrade the pump materials. For applications requiring condensation water or splash protection, pump type GZ 10 (drive coated with four-component resin) can be supplied upon request.

- Welding
- Industrial ironing machines
- Coffee machines
- Sealing pressure systems for mechanical seals
- Lubricating oil systems
- Air humidifiers
- Disinfectors
- Washing plants
- Drink dispensers
- Solar technology
- Medical applications (inhalator)
- Drinking bowls
- Humidifiers systems
- Dosing duties
- Fixative baths
- Plasma technology
- Laser technology
- Studio and stage engineering

Design

Ready-to-connect, self priming, electromagnetic piston pump, splash-proof, (IP41), with 1.05m connection cable 3 x 0.75 mm² H 03 VVF

Designation



With:

Material variant

MS = brass
C = stainless steel

Seal material

1 = buna N
2 = EPDM
3 = Viton

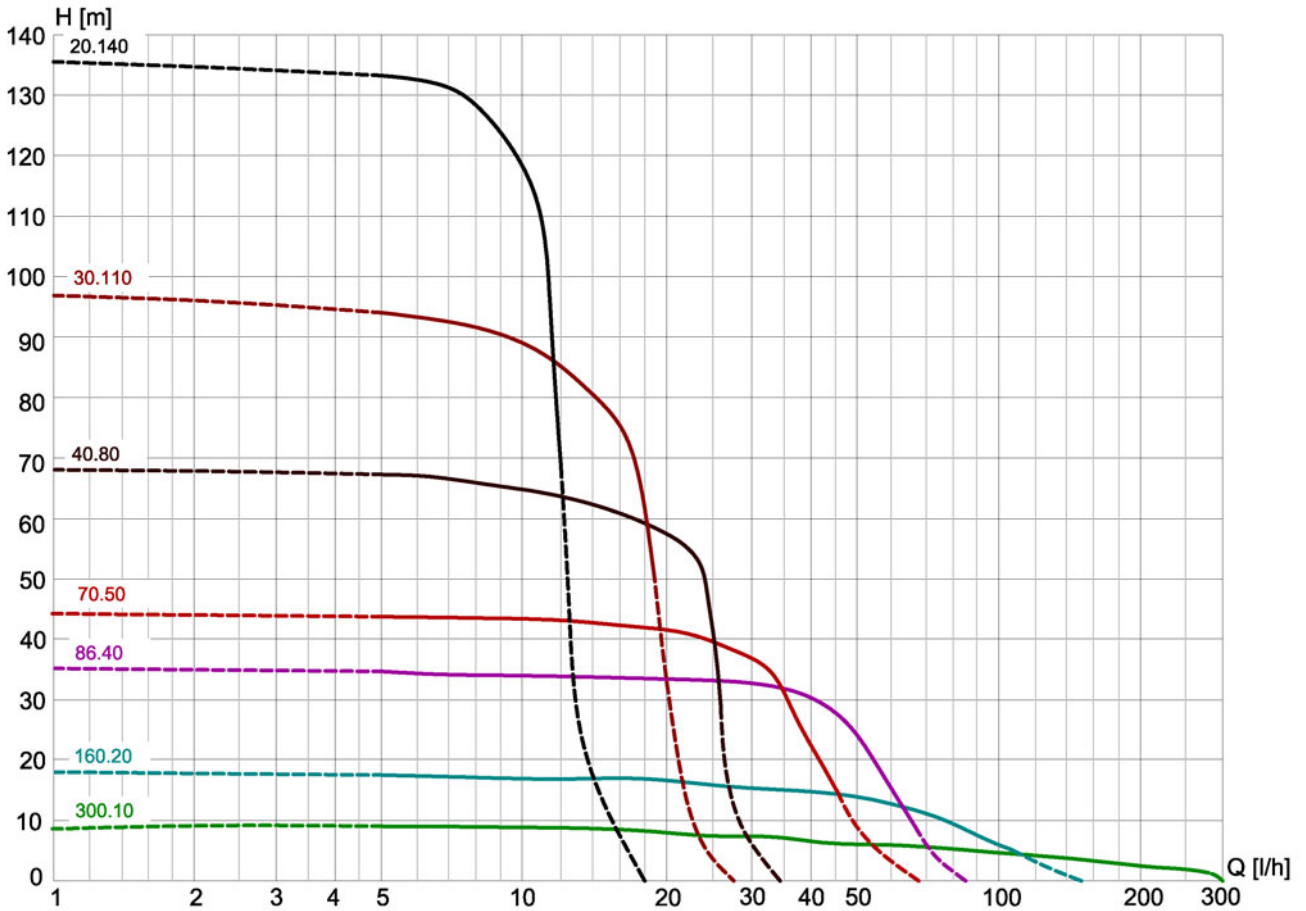
Nozzle connection

A = hose connection on suction and discharge side
B = threaded connection on suction and discharge side
AB = hose connection on suction side threaded connection on discharge side
BA = threaded connection on suction side
Hose connection on discharge side

Operating Data

Capacity	Q	up to 300l/h
Operating pressure	P _d	up to 13 bar
Suction lift	P _s	up to 0,5m (300-10 : 0,3m)
Inlet pressure	P _z	up to 1 bar
		If above, please inquire
Operating temp.	T	up to 60°C Up to 100°C for oil
Drive rating	P	60 W
Pump weight		approx 600g

Selection Chart



Electrical Connection

1 ~ 230 V (207 – 253 V) pour 50 Hz

Special variants:

- Direct current voltage :

- 12V
- 24V

- Alternating voltage:

50 Hz

- 24V (22 – 26V)
- 42V (40 – 44V)
- 110V (100 – 120V)
- 127V (114 – 140V)
- 230V (207 – 253V)
- 380V (370 – 390V)

60 Hz

- 12V (11 – 14V)
- 42V (40 – 44V)
- 110V (100 – 120V)
- 200V (190 – 210V)
- 220V (210 – 230V)
- 240V (230 – 250V)
- 380V (370 – 390V)

- Special variants on inquiry

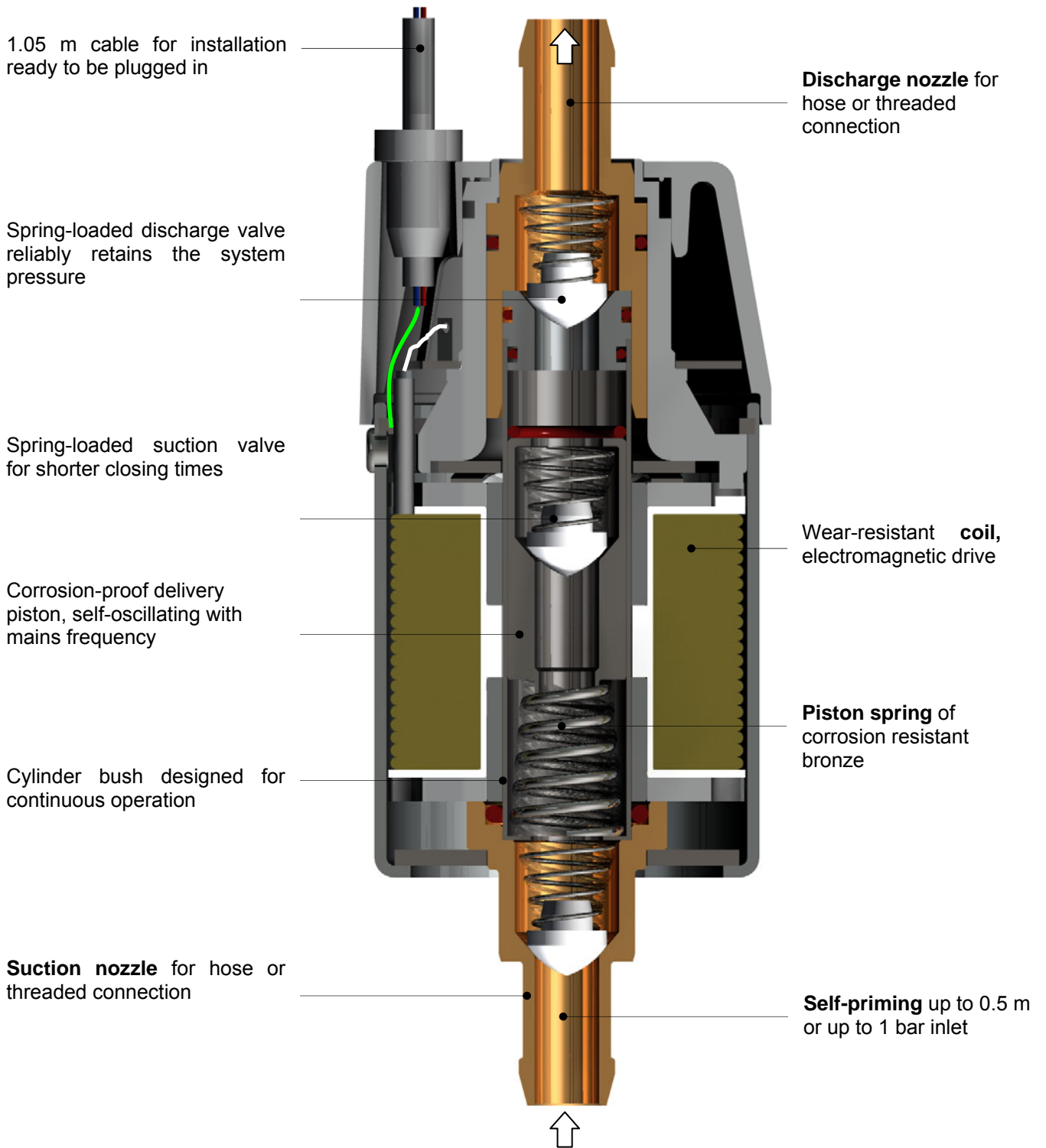
Materials

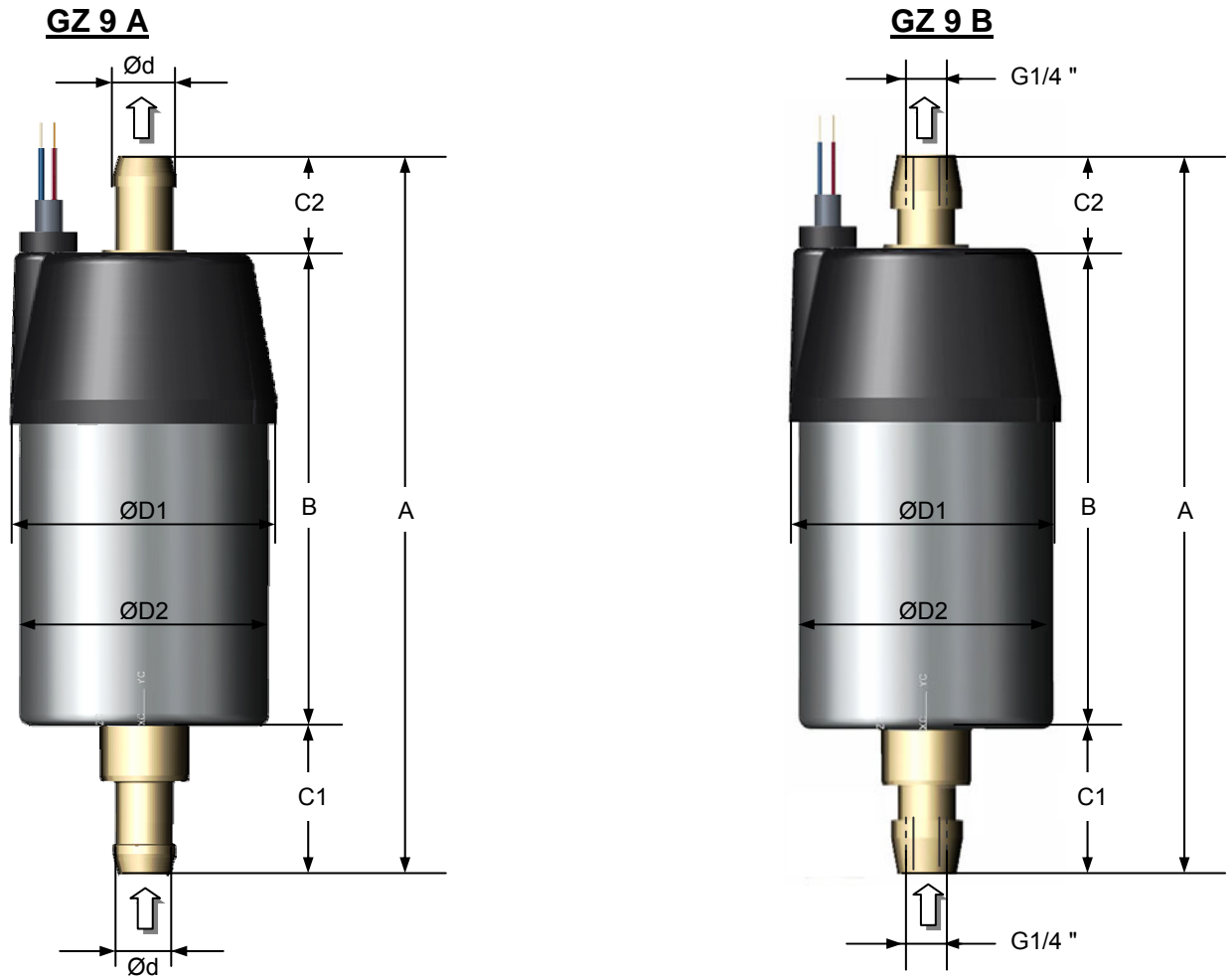
	Standard design Ms	Variant C
Suction nozzle	CuZn40Pb2	1.4301
Discharge nozzle	CuZn40Pb2	1.4301
Pump casing	Galvanized sheet steel	
Delivery piston	1.4016	
Cylinder bush	CuZn40Pb2	1.4301
Piston spring	Bronze de Beryllium	1.4301
Suction/discharge valve	Polyurethane	
Valve springs	1.4301	

Pump Media List

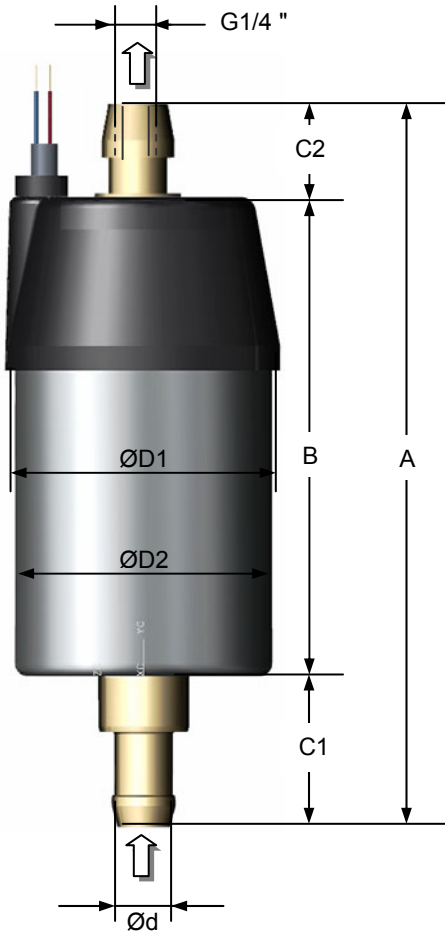
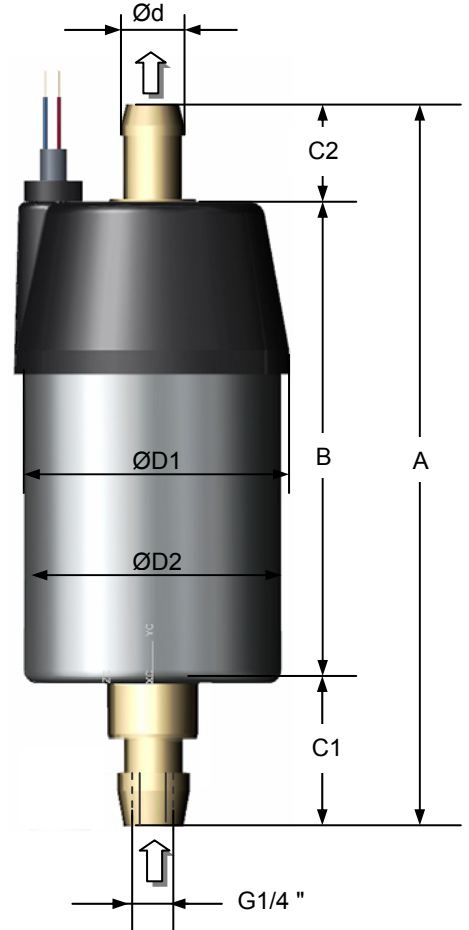
<i>Medium pumped</i>	Pump material variants		Seal materials		
	GZ 9 MS	GZ 9 C	Buna N	EPDM	Viton
			<i>(standard)</i>	<i>Only 300-10, 160-20, 70- 50, 86-40)</i>	<i>(not for 20- 140)</i>
			Code 1	Code 2	Code 3
Clean water	X		X	X	X
Condensate	X	X		X	X
Cooling water	X		X	X	X
Drinking water	X				X
Partly demineralised water	X				X
Demineralised water		X		X	
Water/glycol mixture	X		X	X	
Diesel oil, heating oil	X				X
Gasoline, kerosene	X				X
Oil	X				X
Fixative bath, acidic	X				X
Aggressive liquids (not crystallizing)	Please consult us; depends on medium pumped				
Fruit juice, coffee	X		X		X
Alkaline cleaning detergent	X			X	
Lees for bottle rinsing	X			X	
Lees for metal cleaning	X				X
Halogenated hydrocarbons (water-free)	X				X

Design Features



Dimension Table
Nozzle connection


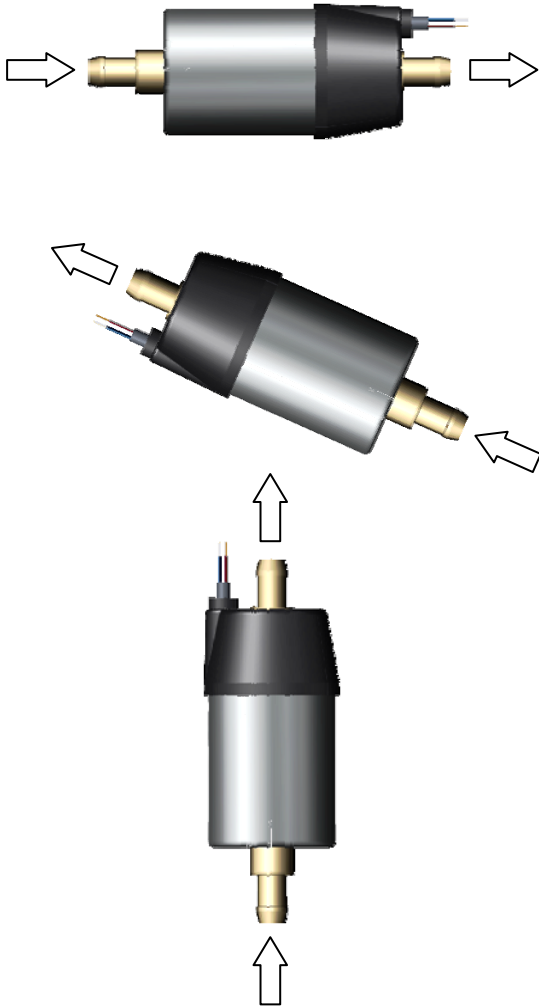
Pump size	Nozzle connection	A	B	C1	C2	D1	D2	d
20-140	A	133	90	19	24	51	48	8
30-110	A	133	90	19	24	51	48	8
40-80	A	133	90	19	24	51	48	8
70-50	A	133	90	19	24	51	48	8
86-40	A	133	90	19	24	51	48	8
160-20	A	137	90	29	18	51	48	12
300-10	A	137	90	29	18	51	48	12
20-140	B	140	90	26	24	51	48	
30-110	B	140	90	26	24	51	48	
40-80	B	140	90	26	24	51	48	
70-50	B	140	90	26	24	51	48	
86-40	B	140	90	26	24	51	48	
160-20	B	148	90	34	24	51	48	
300-10	B	148	90	34	24	51	48	

Nozzle connections
GZ 9 AB

GZ 9 BA


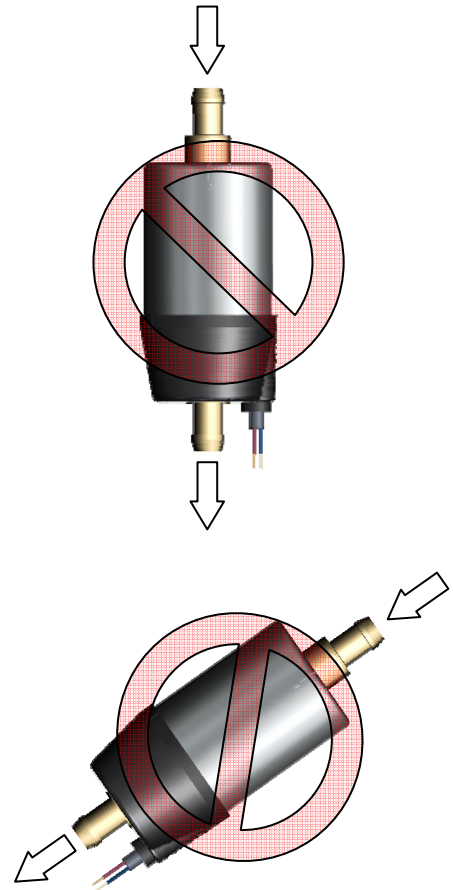
Pump size	Nozzle connection	A	B	C1	C2	D1	D2	d
20-140	AB	133	90	19	24	51	48	8
30-110	AB	133	90	19	24	51	48	8
40-80	AB	133	90	19	24	51	48	8
70-50	AB	133	90	19	24	51	48	8
86-40	AB	133	90	19	24	51	48	8
160-20	AB	143	90	29	24	51	48	12
300-10	AB	143	90	29	24	51	48	12
20-140	BA	140	90	26	24	51	48	8
30-110	BA	140	90	26	24	51	48	8
40-80	BA	140	90	26	24	51	48	8
70-50	BA	140	90	26	24	51	48	8
86-40	BA	140	90	26	24	51	48	8
160-20	BA	142	90	34	18	51	48	12
300-10	BA	142	90	34	18	51	48	12

Installation position

Right

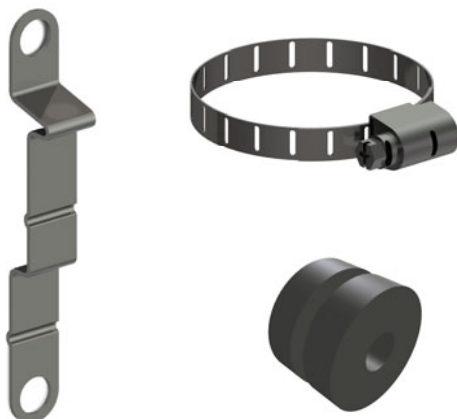


Wrong



Pump Accessories

Holding equipment available for all pump sizes and variants, consisting of a holder with rubber buffers and a pipe bracket.



Exécution standard / standardausführung / Standard design

 Combinaison de matériaux / Materialvariante / Combination of material : **MS**

Moteur / Motor : 1~, 230 V (207 - 253 V), 50 Hz

 |Matériau d'étanchéité / Dichtungswerkstoff / Material for sealing : **Perbunan (Code 1)**

Type de pompe Baugrösse Pump size	Raccord des tubulures / Stutzenanschluss / Branch connection		
	A code / Ident-Nr.	B code / Ident Nr-	Poids / Gewicht / weight (kg)
GZ9 20-140	48 830 955	48 830 956	0,6
GZ9 30-110	48 830 957	48 830 958	0,6
GZ9 40-80	48 830 959	48 830 960	0,6
GZ9 70-50	48 830 961	48 830 962	0,6
GZ9 86-40	48 830 963	48 930 964	0,6
GZ9 160-20	48 830 965	48 830 966	0,6
GZ9 300-10	48 830 967	48 830 968	0,6

* AB et BA sur demande 1 AB und BA auf Anfrage 1 AB and BA on request

Variante admise Zugelassene Variante Admissible variant		Moteur / Motor : 1~, 230 V (207 - 253 V), 50 Hz : EPDM (Code 2)	
Type de pompe Baugrösse Pump size	Raccord des tubulures / Stutzenanschluss / Branch connection		
	A code / Ident-Nr.	B code / Ident Nr-	Poids / Gewicht / weight (kg)
GZ9 70-50	42 111 792	42 111 793	0,6
GZ9 86-40	42 111 802	42 111 803	0,6
GZ9 160-20	42 111 812	42 111 813	0,6
GZ9 300-10	42 111 822	42 111 823	0,6

* AB et BA sur demande 1 AB und BA auf Anfrage 1 AB and BA on request

Variante admise Zugelassene Variante Admissible variant		Moteur / Motor : 1~, 230 V (207 - 253 V), 50 Hz : VITON (Code 3)	
Type de pompe Baugrösse Pump size	Raccord des tubulures / Stutzenanschluss / Branch connection		
	A code / Ident-Nr.	B code / Ident Nr-	Poids / Gewicht / weight (kg)
GZ9 30-110	42 111 780	42 111 781	0,6
GZ9 40-80	42 111 786	42 111 787	0,6
GZ9 70-50	42 111 794	42 111 795	0,6
GZ9 86-40	42 111 804	42 111 805	0,6
GZ9 160-20	42 111 814	42 111 815	0,6
GZ9 300-10	42 111 824	42 111 825	0,6

* AB et BA sur demande 1 AB und BA auf Anfrage 1 AB and BA on request

Variante admise Zugelassene Variante Admissible variant	Combinaison de matériaux / Materialvariante / Combinaison of material : MS Materiu d'étanchéité / Dichtungswerkstoff / Material for sealing : Perbunan (code 1)		
	Raccord des tubulures / Stutzenanschluss / Branch connection		
Type de pompe Baugrösse Pump size	A code / Ident-Nr. 12CC	B code / Ident-Nr. 12CC	Poids / Gewicht / weight (kg)
GZ9 20-140	42 111 704	42 111 705	0,6
GZ9 30-110	42 111 710	42 111 711	0,6
GZ9 40-80	42 111 716	42 111 717	0,6
GZ9 70-50	42 111 727	42 111 728	0,6
GZ9 86-40	42 111 743	42 111 744	0,6
GZ9 160-20	42 111 754	42 111 755	0,6
GZ9 300-10	42 111 765	42 111 766	0,6
	Raccord des tubulures / Stutzenanschluss / Branch connection		
Type de pompe Baugrösse Pump size	A code / Ident-Nr. 24CC	B code / Ident-Nr. 24CC	Poids / Gewicht / weight (kg)
GZ9 20-140	42 111 706	42 111 707	0,6
GZ9 30-110	42 111 712	42 111 713	0,6
GZ9 40-80	42 111 718	42 111 719	0,6
GZ9 70-50	42 111 729	42 111 730	0,6
GZ9 86-40	42 111 745	42 111 746	0,6
GZ9 160-20	42 111 756	42 111 757	0,6
GZ9 300-10	42 111 767	42 111 768	0,6
	Raccord des tubulures / Stutzenanschluss / Branch connection		
Type de pompe Baugrösse Pump size	A code / Ident-Nr. 24V	B code / Ident-Nr. 24V	Poids / Gewicht / weight (kg)
GZ9 20-140	42 111 702	42 111 703	0,6
GZ9 30-110	42 111 708	42 111 709	0,6
GZ9 40-80	42 111 714	42 111 715	0,6
GZ9 70-50	42 111 725	42 111 726	0,6
GZ9 86-40	42 111 741	42 111 742	0,6
GZ9 160-20	42 111 752	42 111 753	0,6
GZ9 300-10	42 111 763	42 111 764	0,6

По вопросам продаж и поддержки обращайтесь:

Архангельск (8182)63-90-72	Краснодар (861)203-40-90	Санкт-Петербург (812)309-46-40
Астана (7172)727-132	Красноярск (391)204-63-61	Саратов (845)249-38-78
Астрахань (8512)99-46-04	Курск (4712)77-13-04	Севастополь (8692)22-31-93
Барнаул (3852)73-04-60	Липецк (4742)52-20-81	Симферополь (3652)67-13-56
Белгород (4722)40-23-64	Магнитогорск (3519)55-03-13	Смоленск (4812)29-41-54
Брянск (4832)59-03-52	Москва (495)268-04-70	Сочи (862)225-72-31
Владивосток (423)249-28-31	Мурманск (8152)59-64-93	Ставрополь (8652)20-65-13
Волгоград (844)278-03-48	Набережные Челны (8552)20-53-41	Сургут (3462)77-98-35
Вологда (8172)26-41-59	Нижний Новгород (831)429-08-12	Тверь (4822)63-31-35
Воронеж (473)204-51-73	Новокузнецк (3843)20-46-81	Томск (3822)98-41-53
Екатеринбург (343)384-55-89	Новосибирск (383)227-86-73	Тула (4872)74-02-29
Иваново (4932)77-34-06	Омск (3812)21-46-04	Тюмень (3452)66-21-18
Ижевск (3412)26-03-58	Орел (4862)44-53-42	Ульяновск (8422)24-23-59
Казань (843)206-01-48	Оренбург (3532)37-68-04	Уфа (347)229-48-12
Калининград (4012)72-03-81	Пенза (8412)22-31-16	Хабаровск (4212)92-98-04
Калуга (4842)92-23-67	Пермь (342)205-81-47	Челябинск (351)202-03-61
Кемерово (3842)65-04-62	Ростов-на-Дону (863)308-18-15	Череповец (8202)49-02-64
Киров (8332)68-02-04	Рязань (4912)46-61-64	Ярославль (4852)69-52-93
	Самара (846)206-03-16	

Единый адрес: kbs@nt-rt.ru **Веб-сайт:** www.kbs.nt-rt.ru